



© 1993

GLENSOUND
ELECTRONICS LTD

ISSUE

1

DATE

21/10/93

GSGC2 & 3

BLOCK DIAGRAM

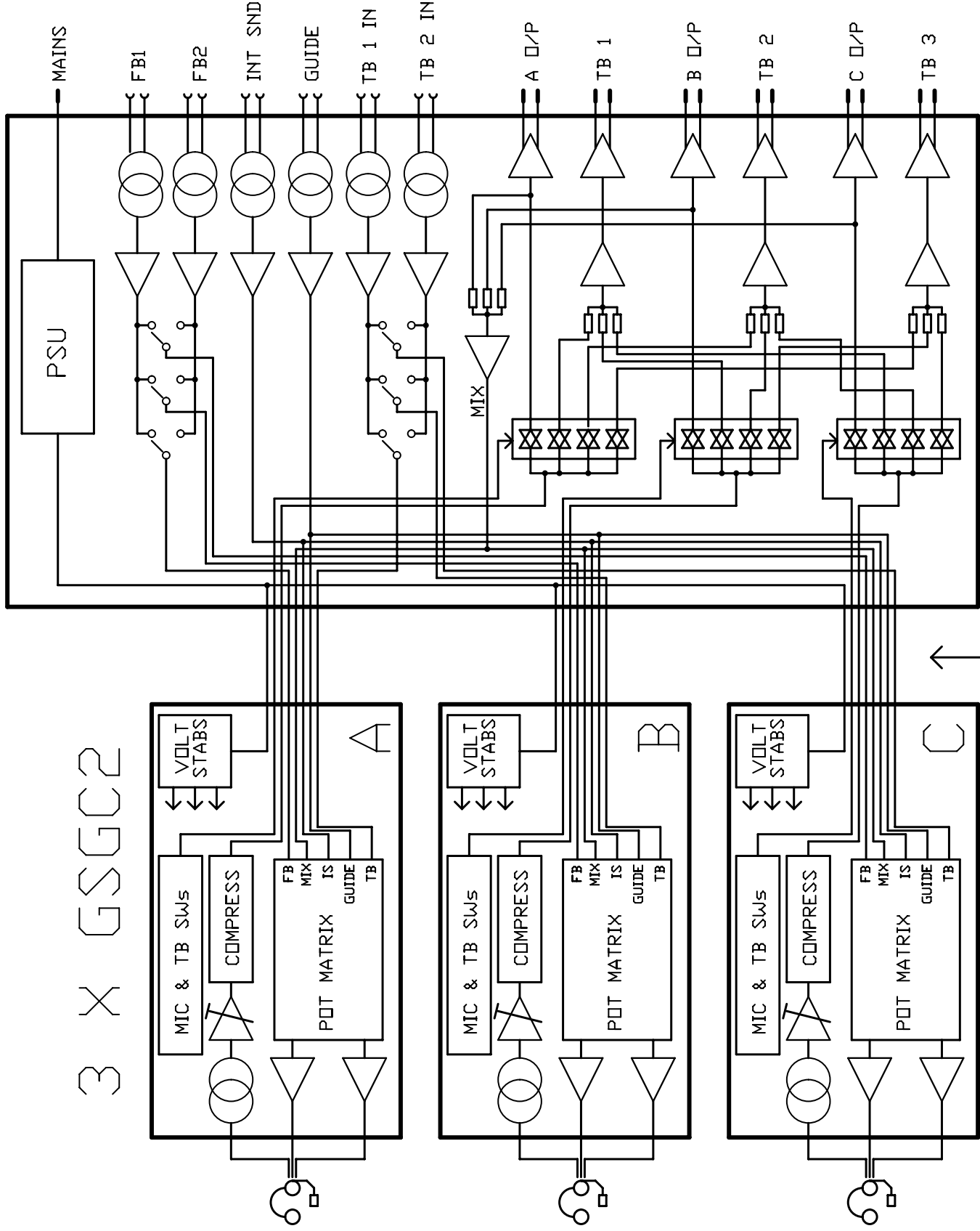
DRAWING NUMBER

A4-12508

ORIGINALLY DRAWN USING EASYTRAX

GSGC3

3 X GSGC2



3 X 7or8 Pair Cable

