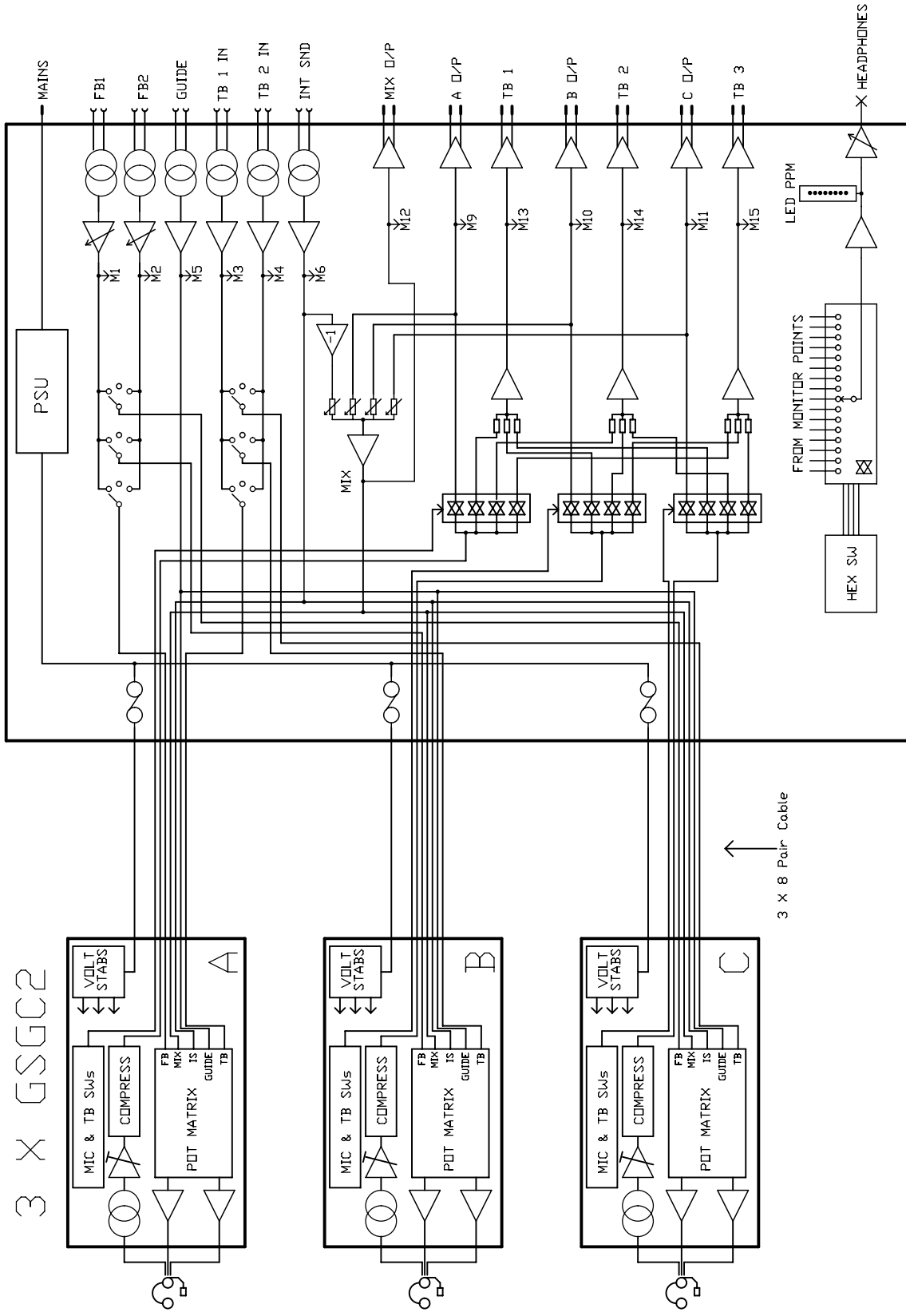


GSGC11

3 X GSGC2



GSGC2 & 11 BLOCK DIAGRAM

ISSUE	DATE	DRAWING NUMBER
1	06/01/97	A3-13186
DRAWN BY		ORIGINALLY DRAWN USING EASYTRAX