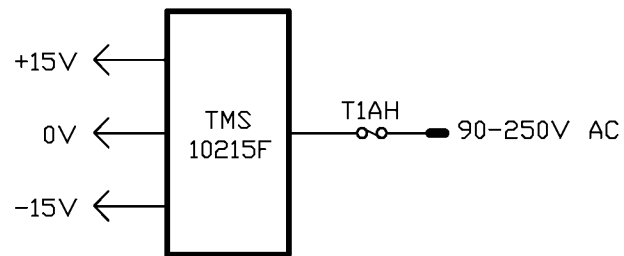
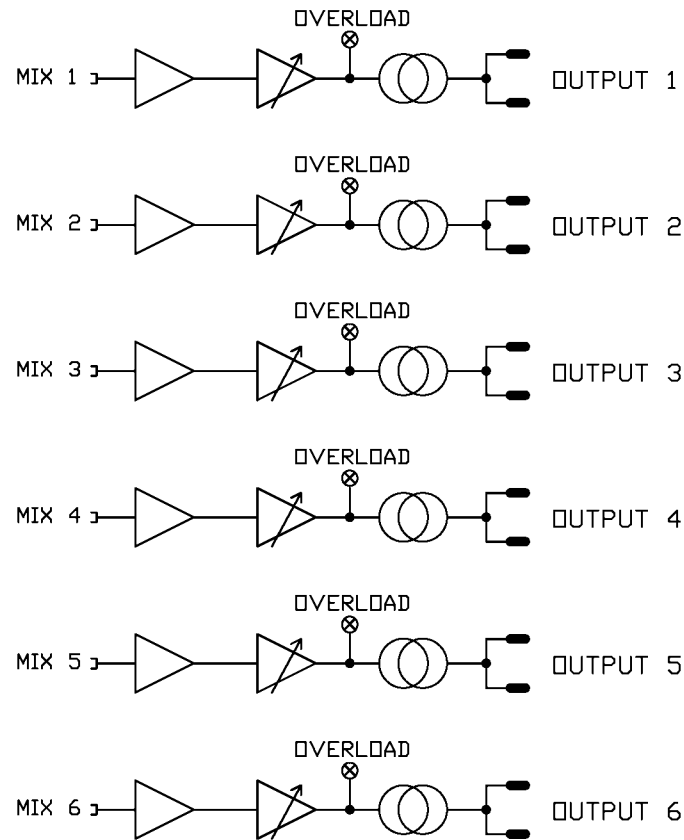
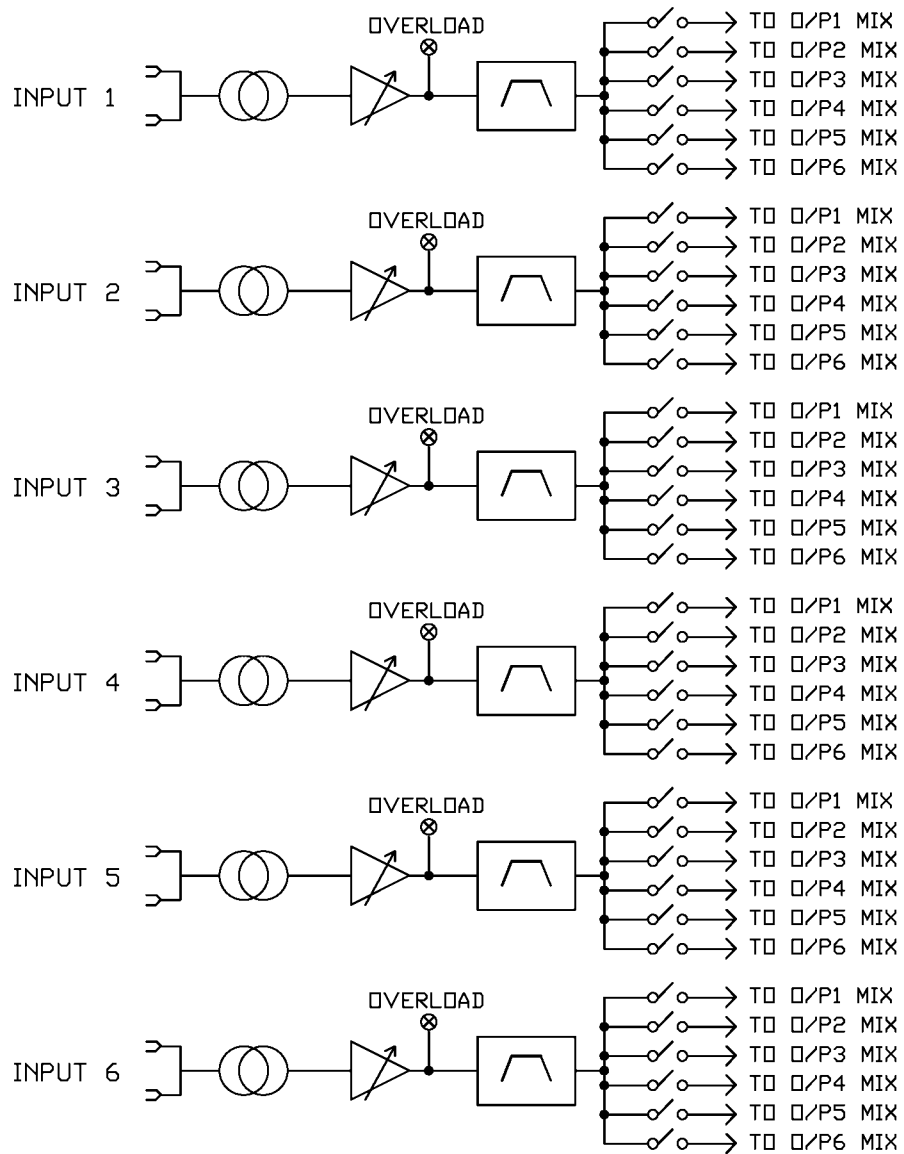




© 2007

GLENSOUND
ELECTRONICS LTD



ISSUE

DATE

1

10/10/07

TALKBACK MONITOR
MIXER BLOCK
DIAGRAM

DRAWING NUMBER

A4-15998

DRAWN BY CJH

ORIGINALLY DRAWN USING AUTOTRAX