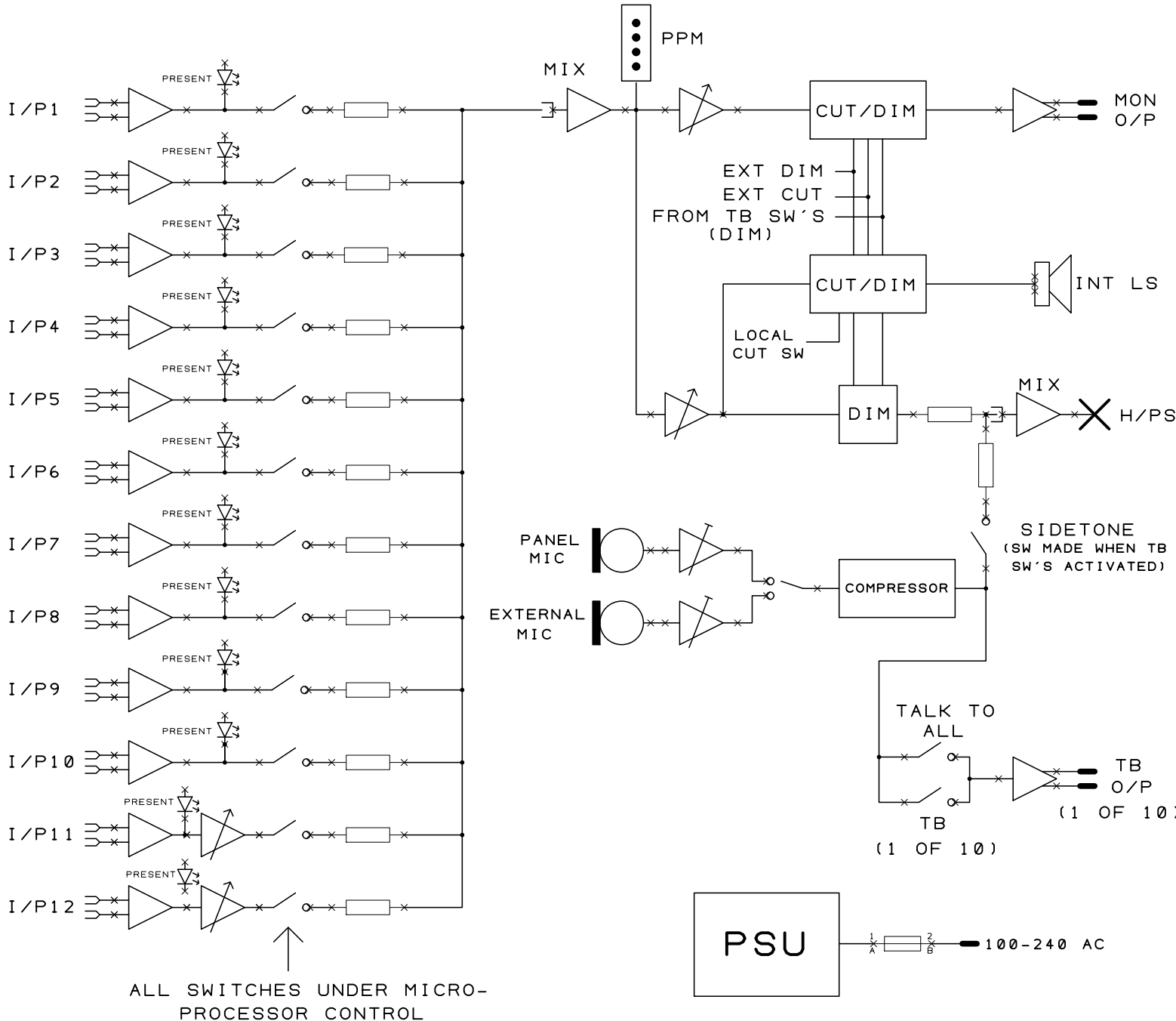




© 2012

GLENSOUND ELECTRONICS LTD



ALL SWITCHES UNDER MICRO-PROCESSOR CONTROL

ISSUE	DATE
2	09/03/12
3	12/03/12

PROPOSED TALKBACK
BOX FOR
TALKSPORT

DRAWING NUMBER

A4-17022

DRAWN BY

CJH