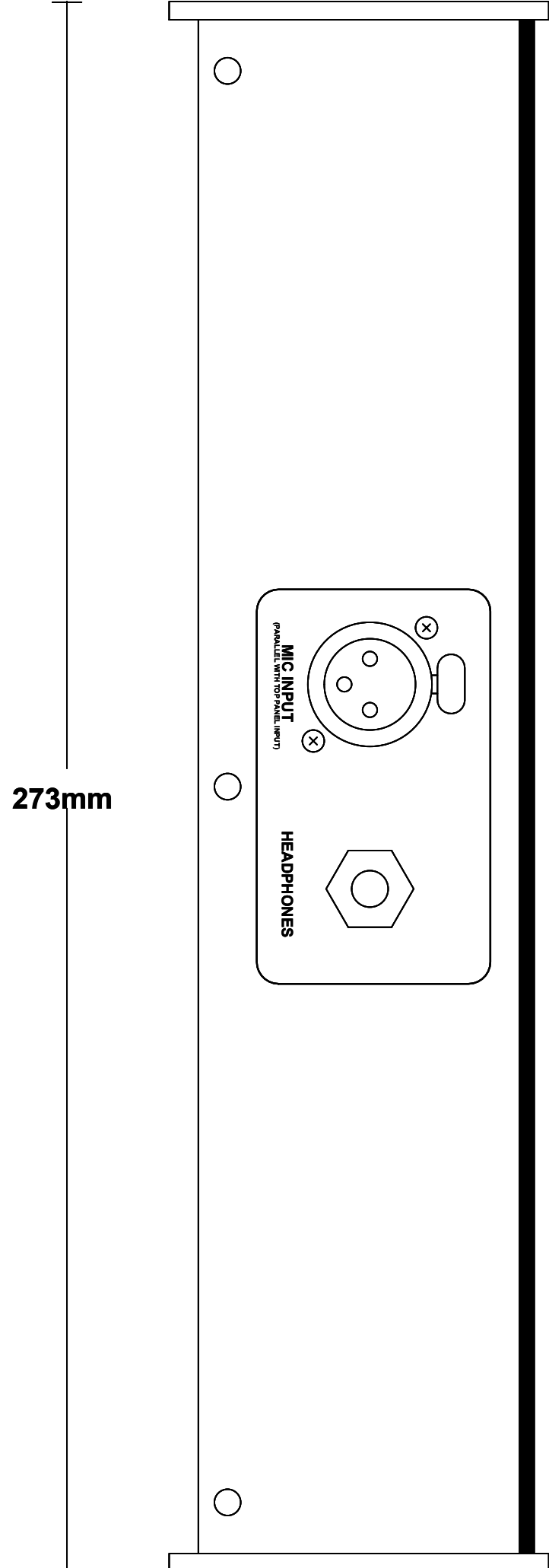
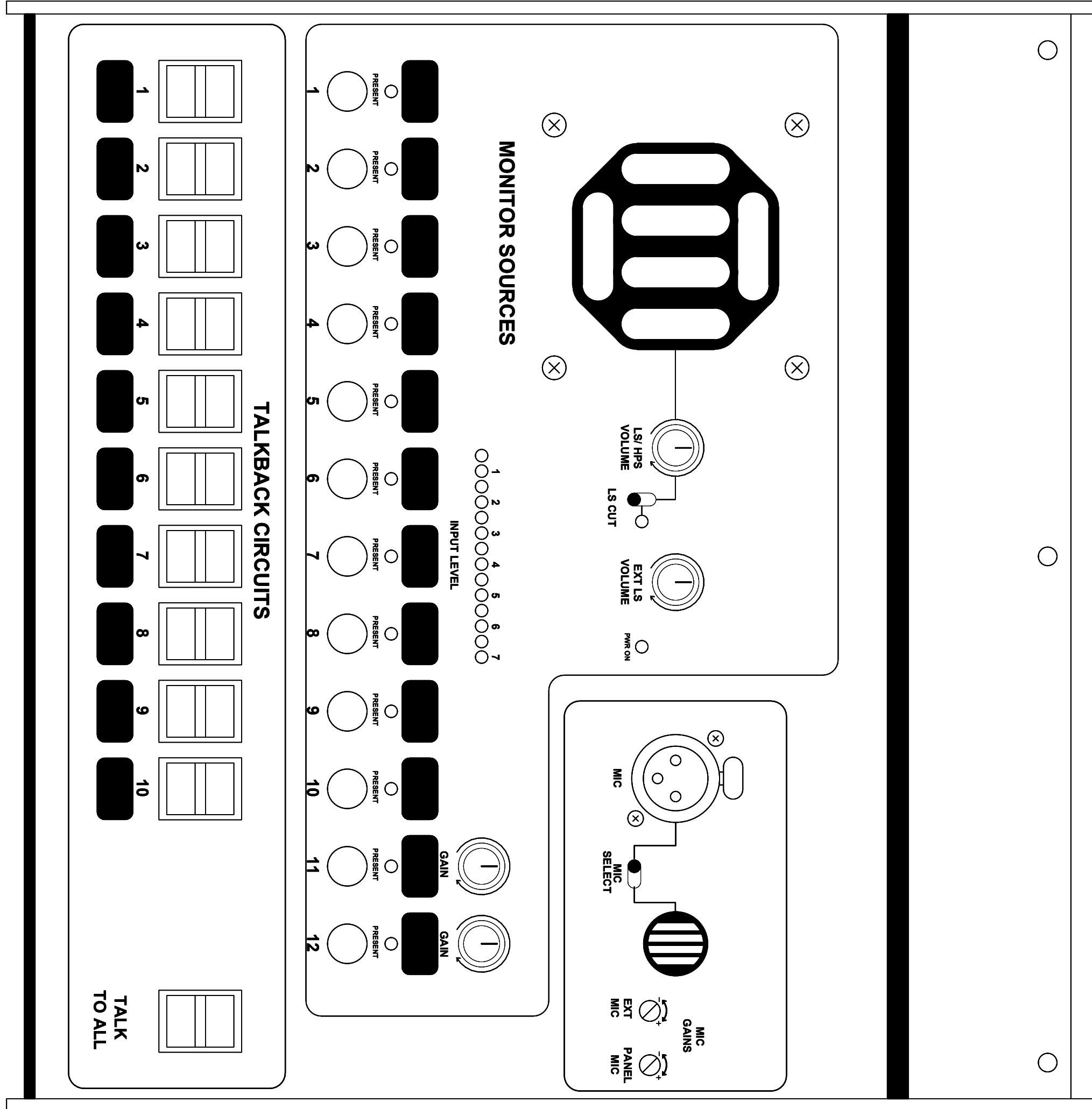


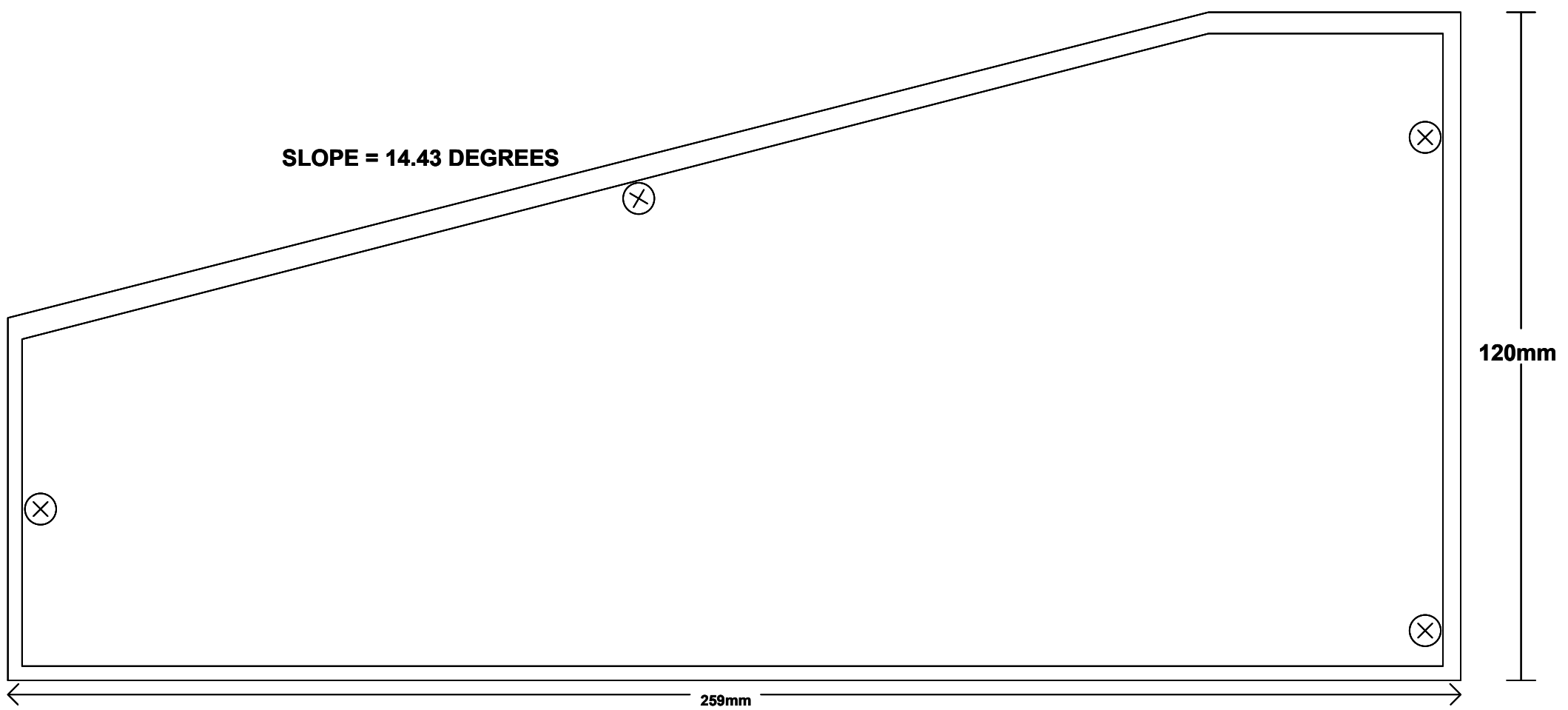
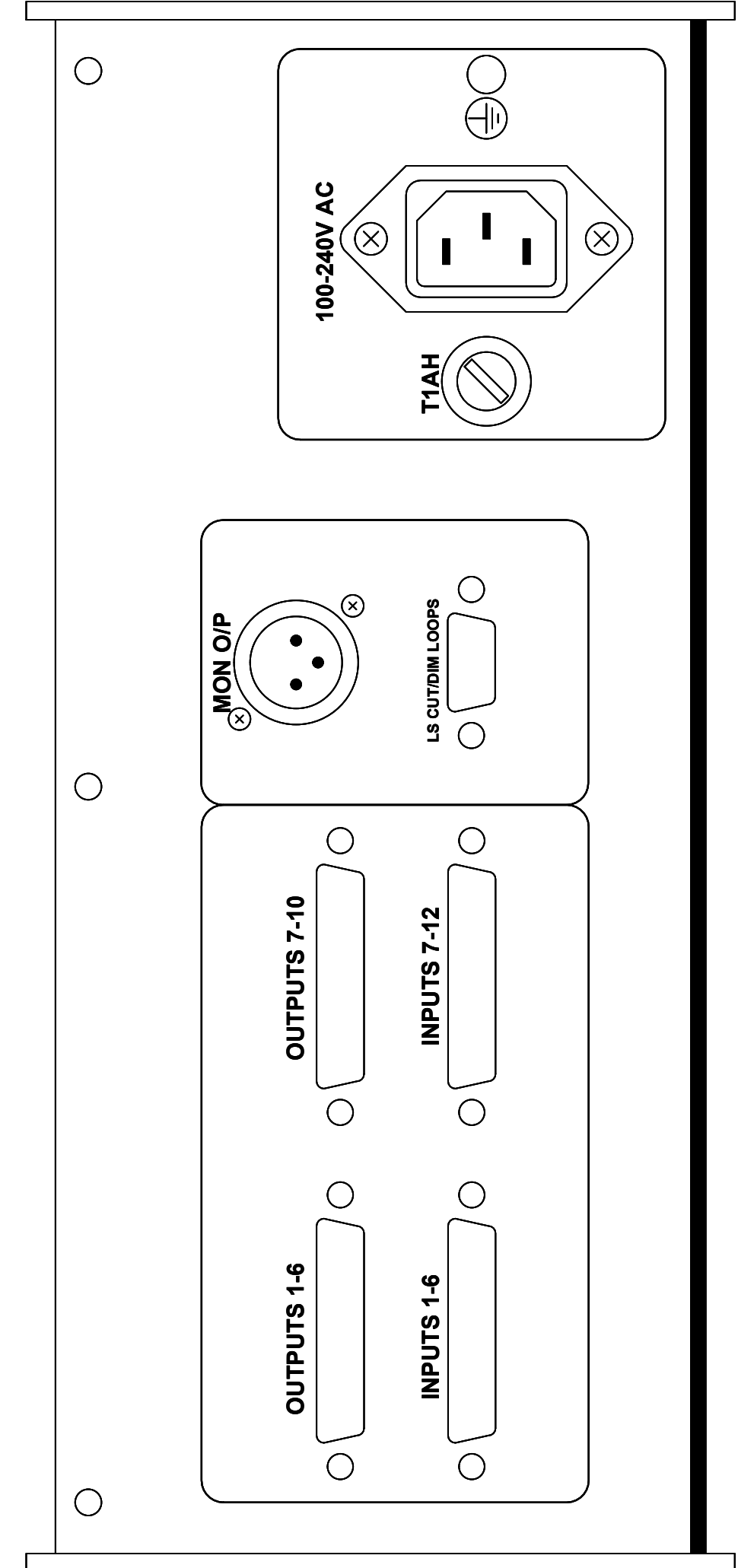
FRONT VIEW



TOP VIEW



REAR VIEW

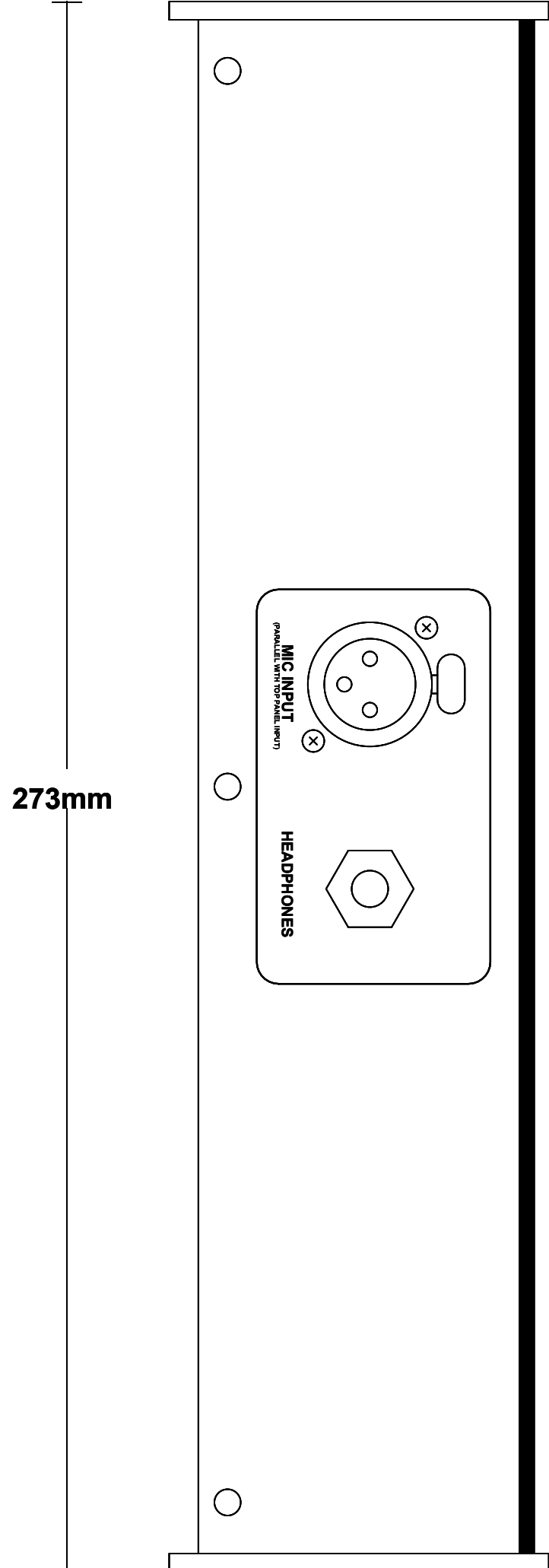


ISSUE	4	SUBJECT		
DATE	27/04/12	PROPOSED TALKBACK BOX FOR TALKSPORT		
DRAWN	CJH	DRG. REF.	A2-17016	(C) Glensound 2012

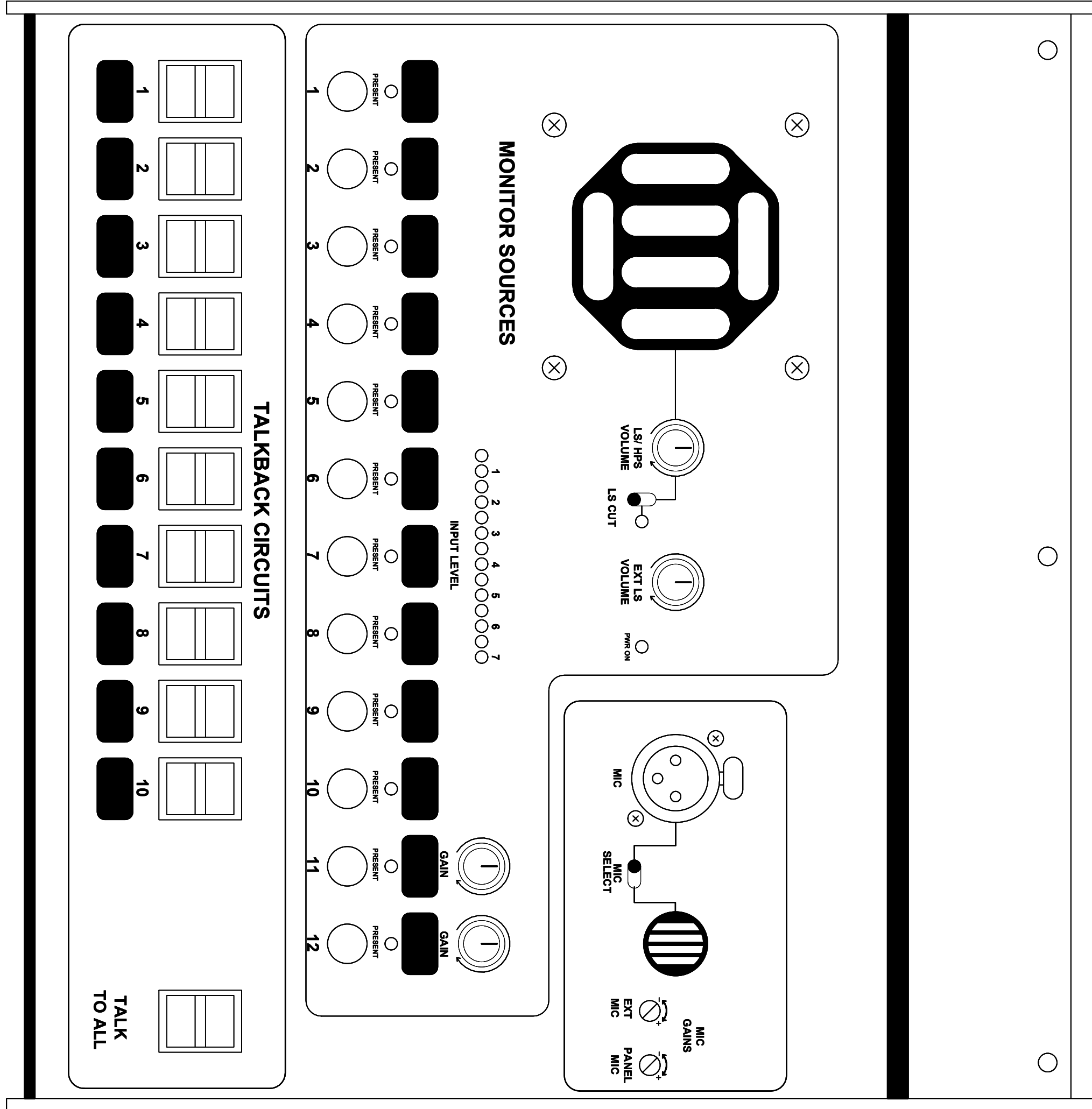


Glensound Electronics Ltd.
 6 Brooks Place, Maidstone, Kent. ME14 1HE.
 www.glensound.co.uk Tel: +44 (0) 1622 753662

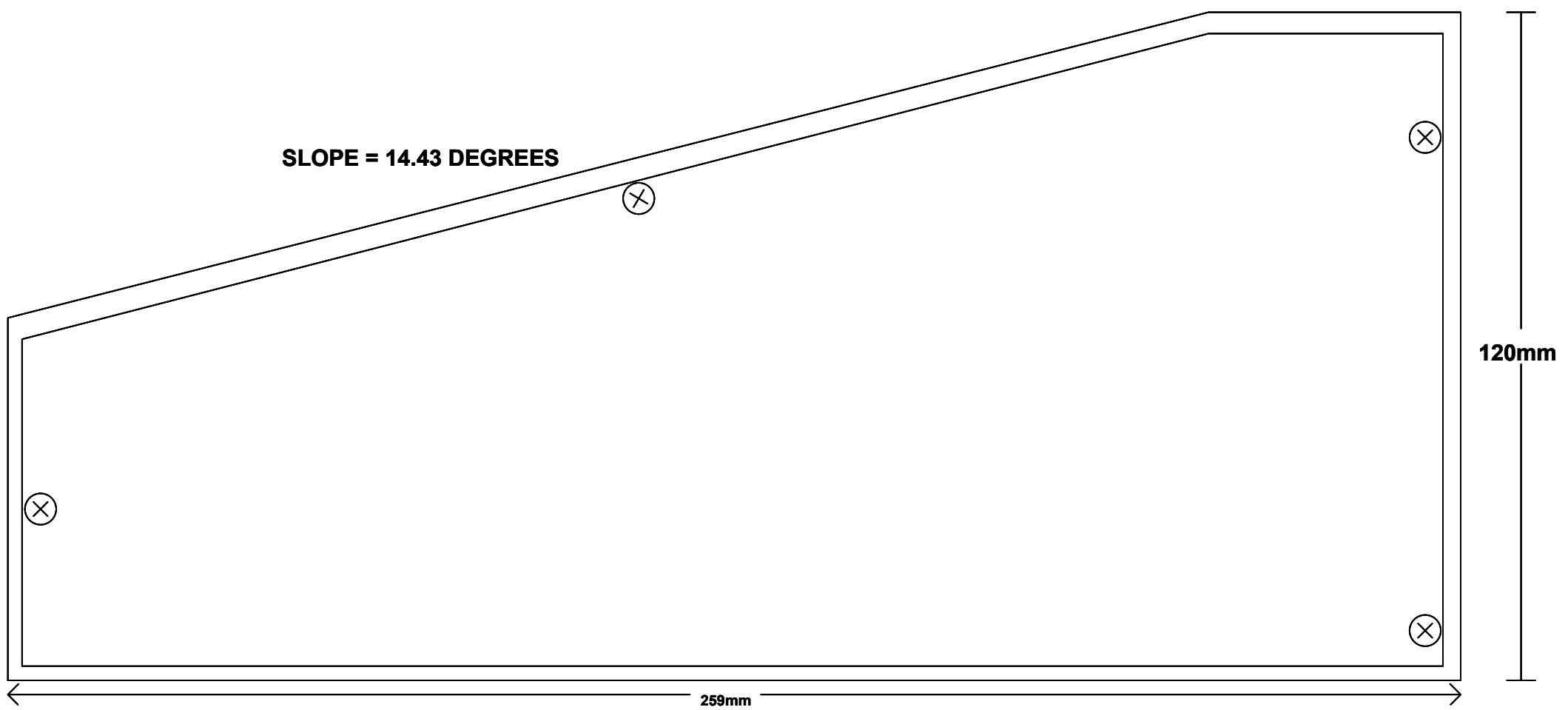
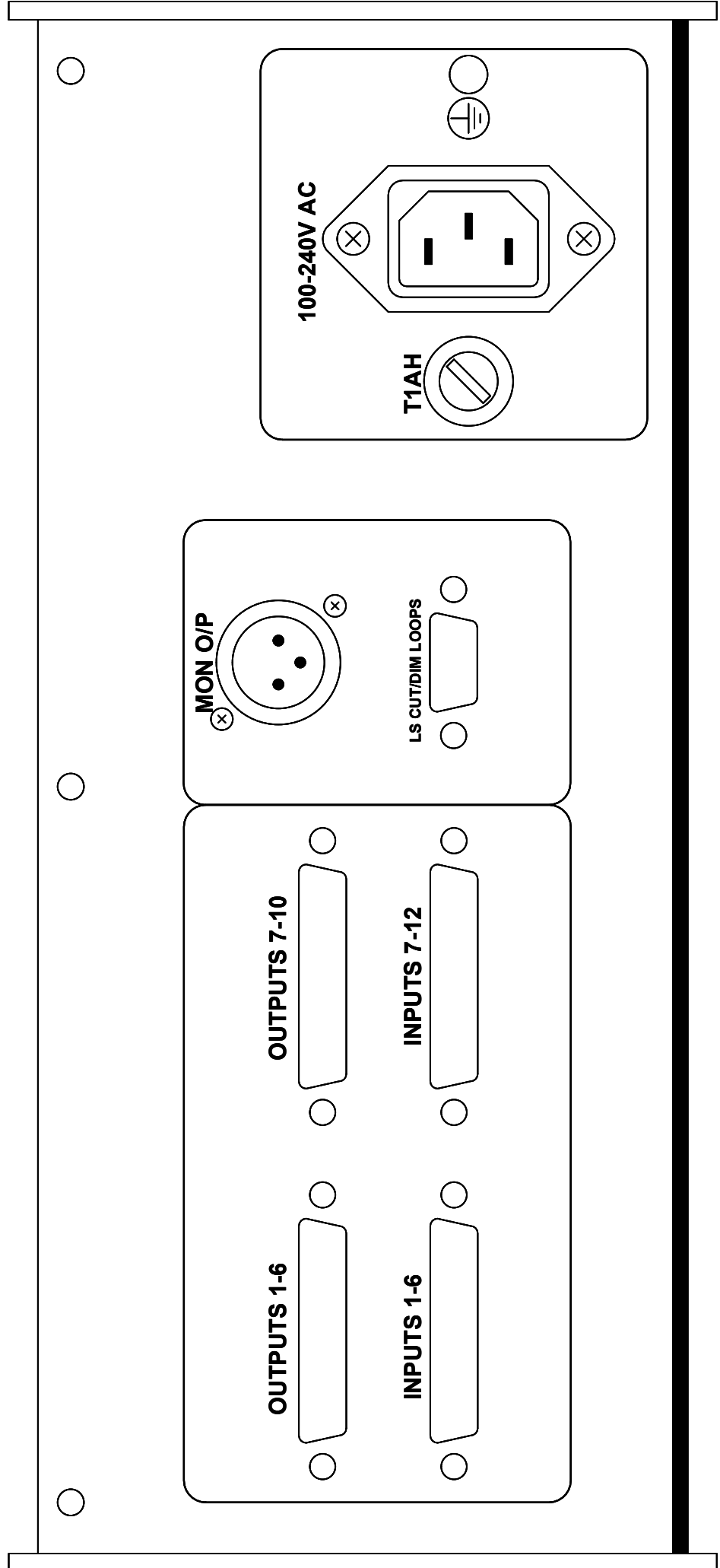
FRONT VIEW



TOP VIEW



REAR VIEW



ISSUE	4	SUBJECT		
DATE	27/04/12	PROPOSED TALKBACK BOX FOR TALKSPORT		
DRAWN	CJH	DRG. REF.	A2-17016	(C) Glensound 2012



Glensound Electronics Ltd.
 6 Brooks Place, Maidstone, Kent. ME14 1HE.
 www.glensound.co.uk Tel: +44 (0) 1622 753662