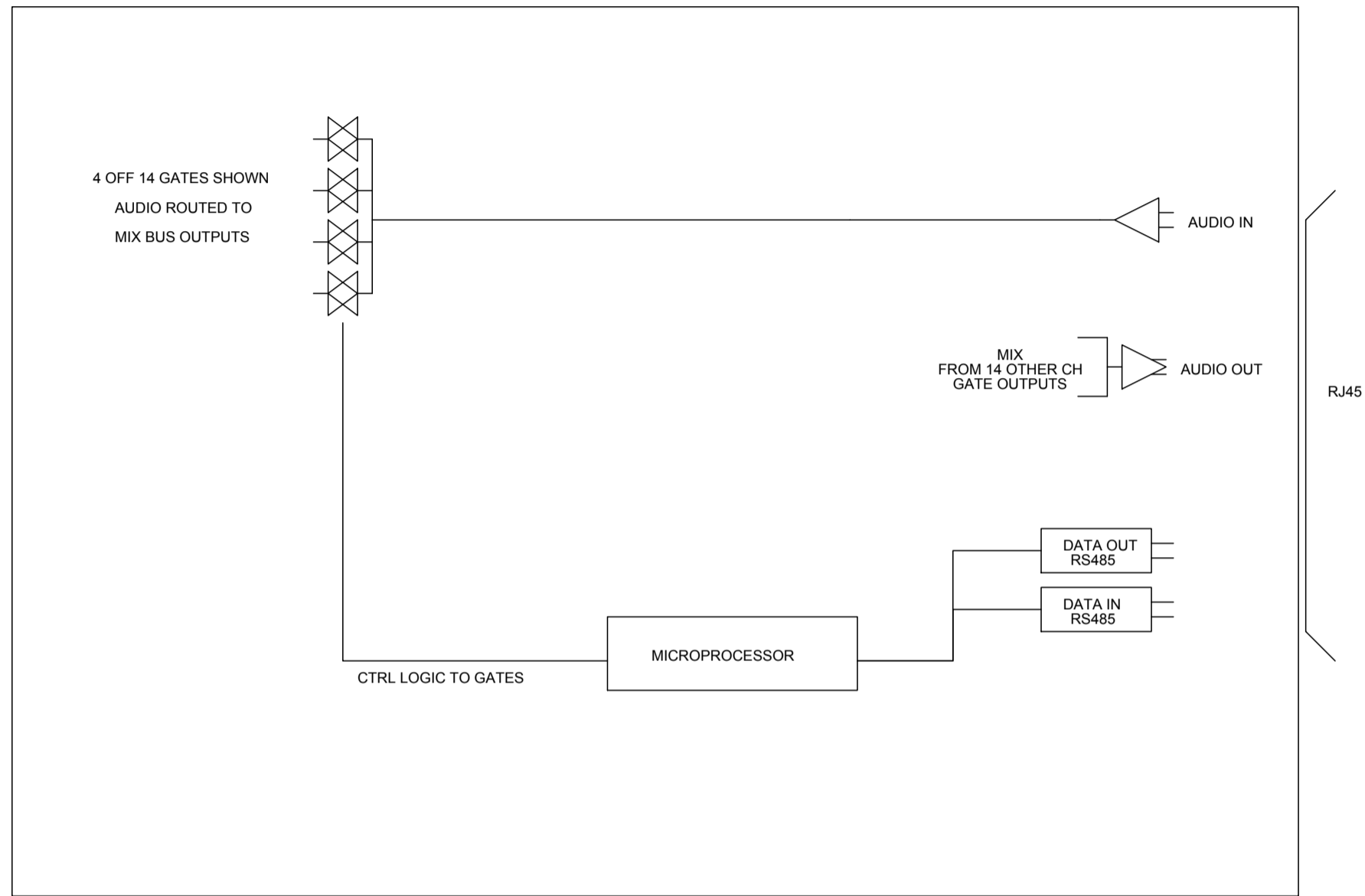


2U CENTRAL RACK



COMMON PCBs FOR INTERCOM UNITS

