

# Signature Series

Maximum Resilience Broadcast Audio



## ADDA, DAC, ADC

### Quick Start Guide Digital Audio Converters



USER MANUAL

Full User Manual Can Be Downloaded From:

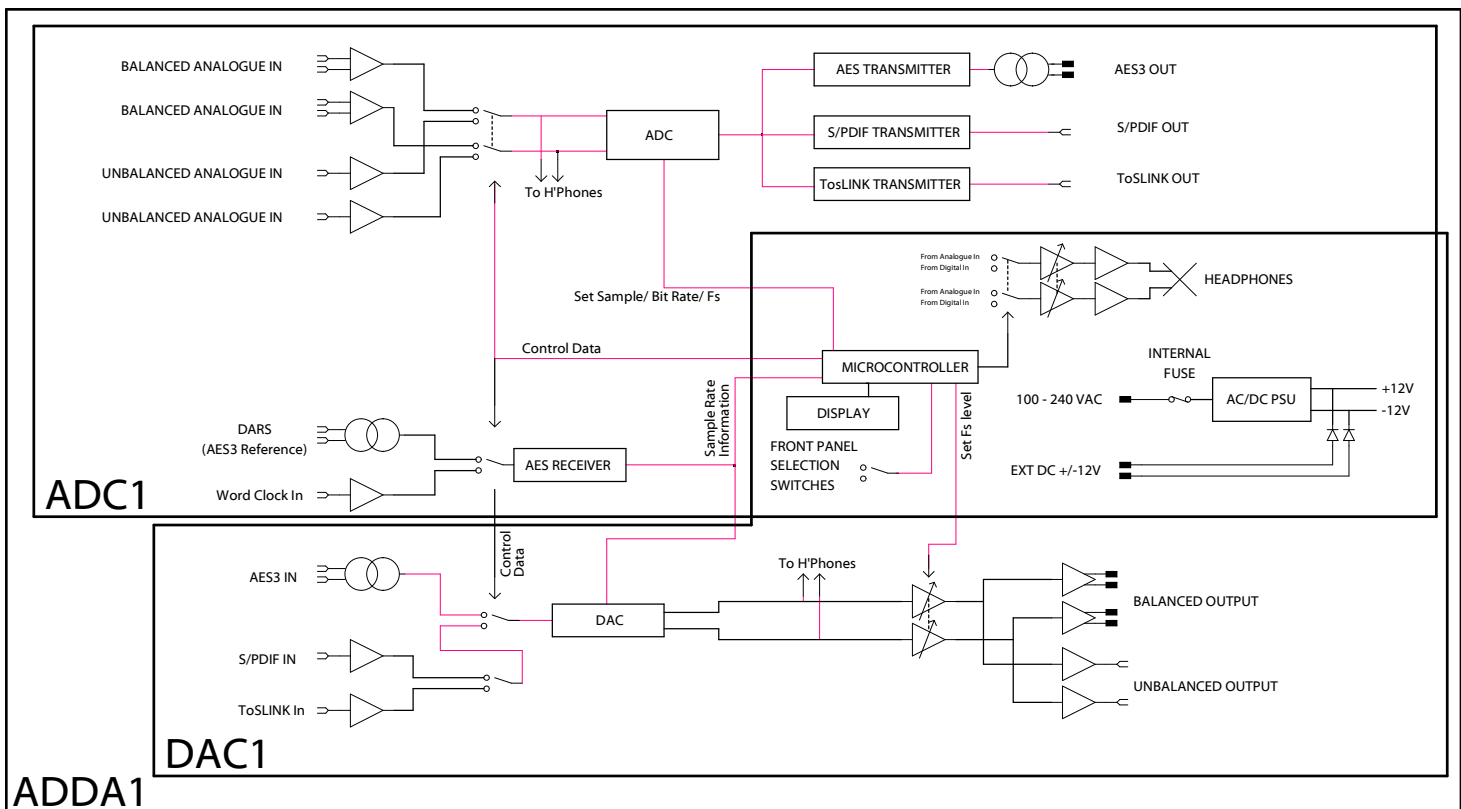
[www.glenSound.co.uk/Manuals/Signature/ADDA ADC and DAC Manual.pdf](http://www.glenSound.co.uk/Manuals/Signature/ADDA ADC and DAC Manual.pdf)



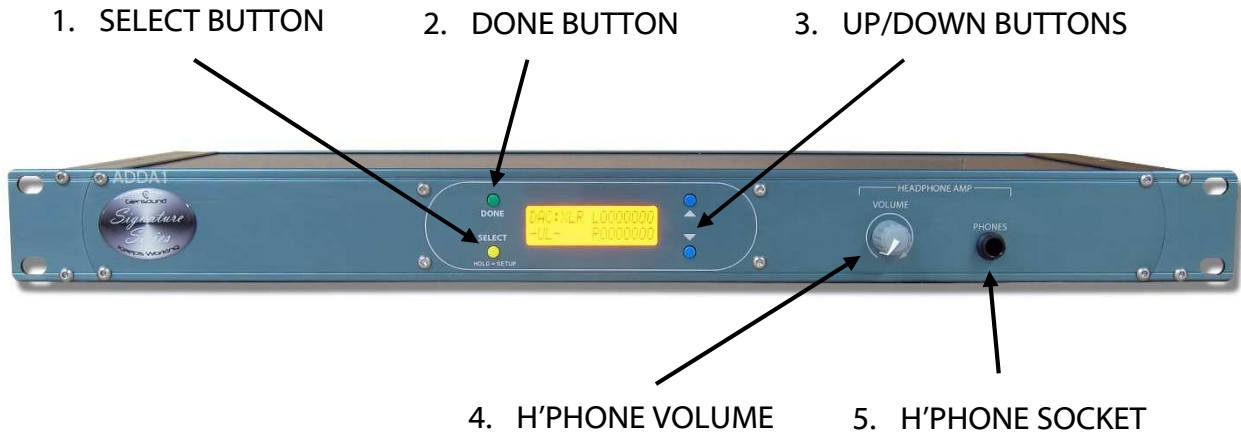
**THIS UNIT MUST BE EARTHED**

This quick start guide covers 3 products, ADDA, DAC & ADC. The DAC and ADC are subsets of the ADDA.

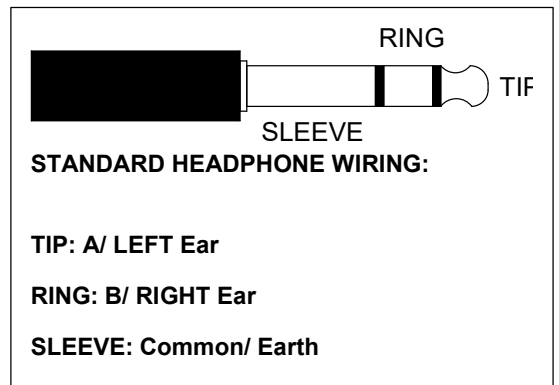
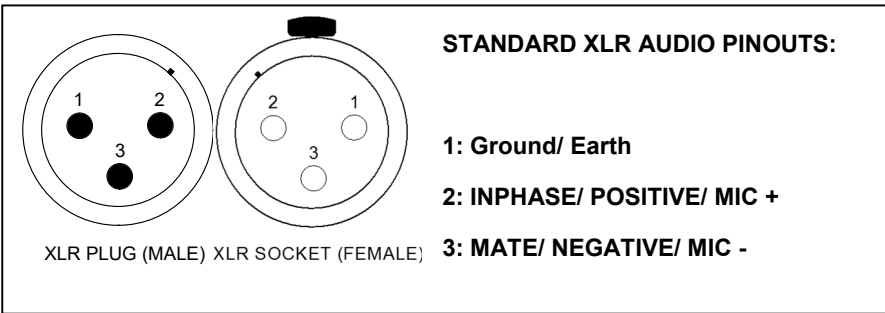
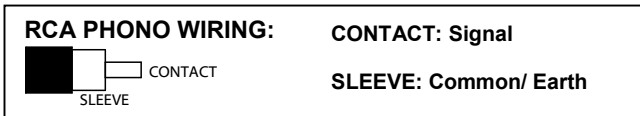
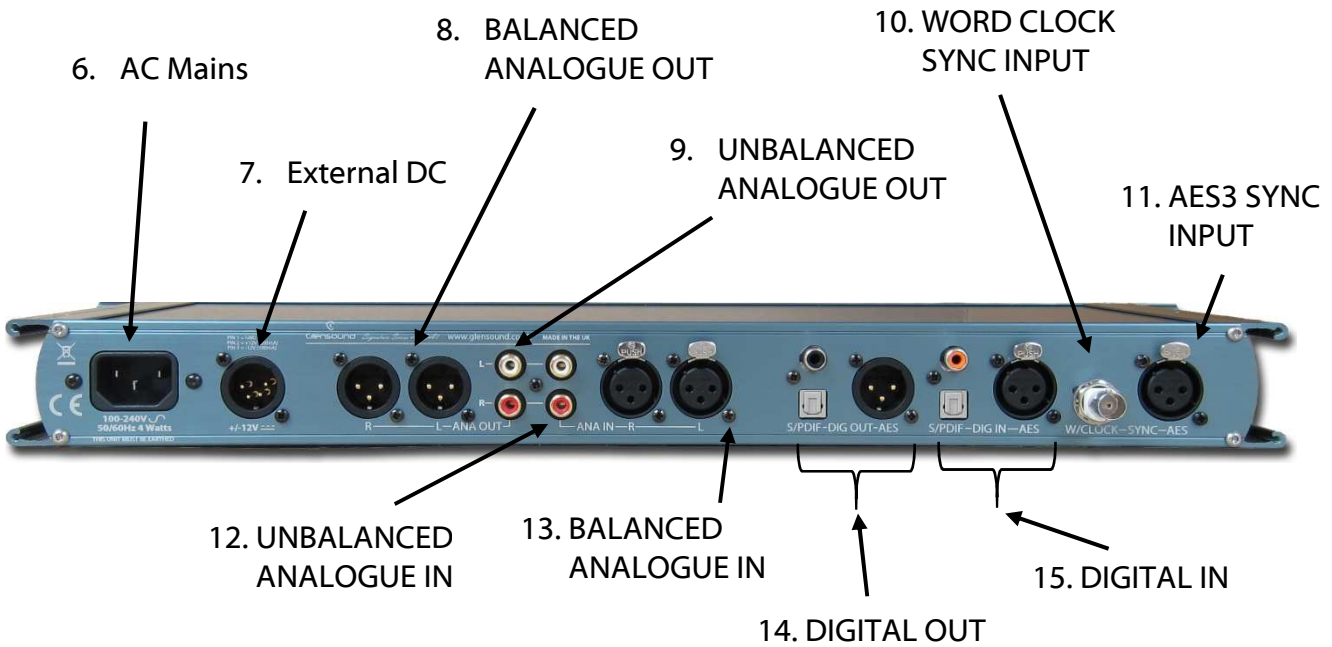
### AUDIO BLOCK DIAGRAM:



# USER CONTROLS



# CONNECTIONS



**GlenSound**  
6 Brooks Place, Maidstone  
Kent, UK, ME14 1HE  
Tel: +44 (0)1622 753662  
[www.glenSound.co.uk](http://www.glenSound.co.uk)

