



GS-MON004

High Quality 4 Channel Audio Monitor

Highlights

New 2019 Design

Best In Class
Loudspeakers

4 x 5 Watt
Loudspeakers

8 Audio Inputs
On XLRs

Peak, Presence
& Mute Controls

Low Noise
Class D amplifier

Overview

The Glensound GS-MON004 is a 4 loudspeaker confidence monitoring rack. It is a new design for 2019 and features the very latest technology in loudspeaker and amplifier design giving it an extended acoustic frequency range (compared to old legacy equivalent products) and low distortion.

The 4 loudspeakers are each fed from their own pair of balanced audio inputs on rear panel XLR connectors. Each channel has a front panel audio presence indicator and input peak Led and an illuminated channel mute switch. Front panel volume controls adjust the audio output of the speakers and the headphone circuit.

Your operator will love the GS-MON004 due to its great audio performance and simplicity of operation, your engineer will love it as it is well built and should last a very long time and your accountant will love it as it has low running costs and a very competitive initial asset price.



Features

- Modern Loudspeaker Drive Units**
The newly designed drive units fitted in the GS-MON004 were originally manufactured as full range drive units in flat screen televisions. They have ultra modern Neodymium magnets with reasonably low tesla magnetic induction properties.
- Class D Amplifiers**
Each loudspeaker is driven from a new design of Class D amplifier. These amplifiers provide low distortion & low noise outputs. Four watts RMS is provided into each loudspeaker and the peak output is electronically limited to 5 watts.



- Inbuilt Loudspeaker Protection**
A compressor limiter circuit is provided to prevent overload and damage to the loudspeaker drivers by exceptionally high audio levels. One compressor/ limiter is provided for each loudspeaker and they have been carefully designed not to taint the audio during normal operating levels.
- Stereo Inputs For Each Channel**
A total of 8 audio inputs are provided for the 4 loudspeakers. Each loudspeaker is driven from 2 audio inputs mixed together, this allows the easy monitoring of stereo signals on the unit.
All the audio inputs are electronically balanced on rear panel XLRs.
- Channel Mute Switch**
Each channel has its own illuminated mute switch. This allows a quick and easy way for an operator to turn the audio off from one (or more) loudspeakers.
- Presence & Peak LEDs**
Presence LEDs are provided for each loudspeaker input. These LEDs illuminate when incoming audio is detected and this provides a helpful aid to an operator to know which audio circuit is currently active.
Peak LEDs are also provided and these illuminate when the input level reaches a high level.

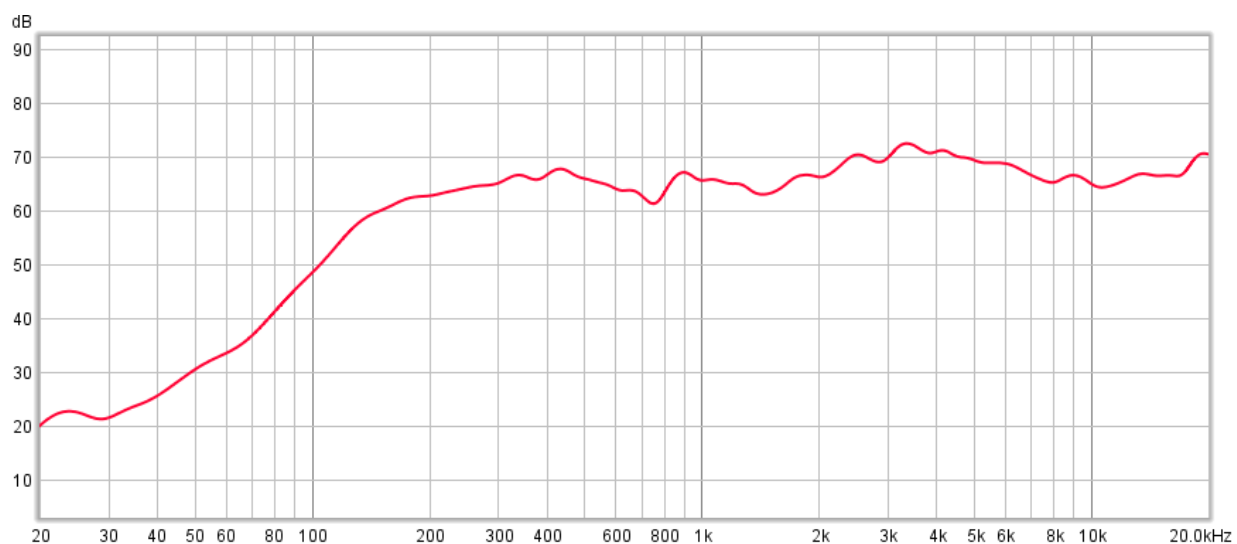


Features

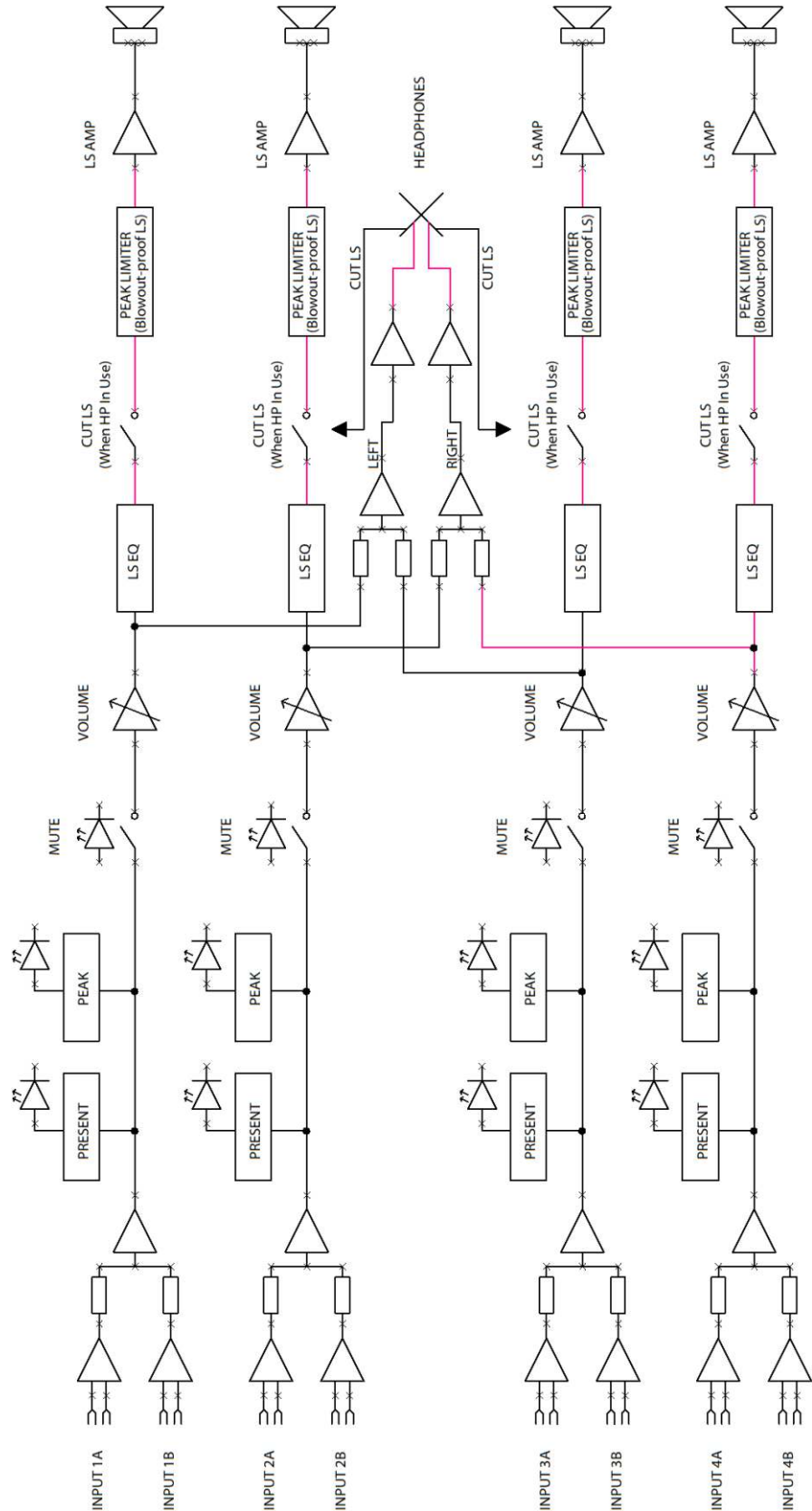
- Headphone Output**
 A front panel 6.35mm TRS headphone jack is provided. If headphones are plugged in then the audio to the loudspeakers is automatically cut. The headphone output is stereo and it wired such that inputs 1 and 3 feed its left output and 2 and 4 feed the right output channel.
- Mains Power Supply**
 An internal switch mode mains power supply is fitted that is suitable for use Worldwide. The power input is via a industry standard filtered IEC plug.



- High Acoustical Output**
 The modern loudspeaker drive units are capable of providing a high output SPL of 88dB from 1 loudspeaker (at 0.6 metres) or 98dB if all loudspeakers are driven coherently.
- Best in Class Frequency Response**
 Our design provides what we believe is the best in class frequency response from a 4 way 1RU loudspeaker rack. Our acoustical output is within +/-9dB from 22kHz down to 120Hz. The flat midrange and extended LF provide a noticeable improvement in audio clarity and we'd welcome any listening test comparison you wish to try.
 The graph below plots acoustical output level in relation to frequency.



Audio Block Diagram



Audio Monitoring



Specification

AUDIO - General**Input Impedance**

> 30K Ohms

Input Type

Electronically balanced (can be wired unbalanced)

Input Connector

Female 3 Pin XLR (Neutrik)

Maximum Input Before Clipping

+27dB

Volume Control Gain Range

+10/ Off

Present Indicator Threshold

-18dB

Present Indicator Hold Time

3 seconds

Peak LED Threshold

+10dB

A + B Mixers

0dB + 0dB = +6dB

AUDIO - Loudspeaker**Maximum Power RMS**

4 Watts (per loudspeaker)

Peak Power (per loudspeaker)

5 Watts (limited by compressor circuit)

Amplifier Type

Class D

Noise @ Lineup (measured at I/P to LS)

> -61.5dB

THD + N (measured at input to LS)

> 0.18% @ 1kHz ref +8dB

Acoustic Frequency Response

120Hz to 22kHz +/- 9dB

Maximum Acoustic Level (1 Loudspeaker)

88dB SPL @ 0.61 Meters (2 Feet)

Maximum Acoustic Level (4 Loudspeakers)

98dB SPL @ 0.61 Meters (2 feet)

Loudspeaker Magnet Type

Neodymium

Magnetic Induction

1.15 T (per loudspeaker)

AUDIO - Headphones**Connector**

6.35mm (1/4") TRS Jack Socket

Maximum Output Before clipping

+18dB into 600 Ohms

Noise @ Lineup (22hz to 22kHz RMS)

> -88 dB

THD + N

> 0.0025% @1kHz ref +8dB

Headphone Impedance

32 - 1000 Ohms

POWER**Input Voltage**

100 - 240 VAC +/-10%

Frequency

50 / 60 Hz

Input Connector

Filtered IEC (Internally fused)

Consumption

25 Watts (Maximum)

PHYSICAL**Mechanics**

All aluminium with laser etched panels and light textured black powder coated lid/ base

Size

19" 1RU 221mm deep

Weight

1.9Kg (4.2lbs)

Shipping Weight

3.5Kg (7.8lbs)

Shipping Size

62 x 41 x12 cms

Shipping Carton

Rugged export quality cardboard

INCLUDED ITEMS**Handbook**

Physical A4 (download also available)

Mains Cable

2 metre IEC (UK & Europe only)

Audio Monitoring

